

PDK-50HW2 SPECIFICATIONS



Education

Military

Boardroom

Medical

Kiosk

Turn plasma displays into convenient and accurate touch panels for all types of applications.

Plasma displays are a great way to present information, and now there is a powerful tool that makes them even more effective. The PDK-50HW2 turns the display into a touch panel so you can use the dedicated pen as a mouse, or your finger, to control all types of applications. Use the pen to write and draw directly over information shown on the display. Add comments, highlight data, delete and amend then save whatever you write as a file. Presentations, lectures and meetings become more interactive and efficient. With fast installation and simple operation, the PDK-50HW2 will expand the potential of your plasma display.

In the Office: Presentations and meetings will be more persuasive and effective when you can add handwritten input without moving from the display. Comments and symbols can be added to emphasize important points as you present.

Other Applications: The versatile PDK-50HW2 can be used in a variety of professional applications including education, interactive kiosks, tactical military briefings and a range of medical uses. It can be installed either horizontally or vertically for a truly flexible solution.

Optional Mobile Cart: The PDK-5014 allows easy transportation of the Touch Screen from room to room.

Plasma Touch Screen

Five Major Benefits

1. High-speed.

- Infrared scanning system offers optimal performance with high-definition PDP-503MXE Plasma Display.
- Infrared system does not interfere with bright, clear PDP images. The PDP surface is not covered, thus no brightness loss, focus blurring or parallaxing occurs.
- WXGA Resolution (1280 x 768)
- High-speed circuitry processes any touch-based input with zero delay.

2. No calibration.

- Stable, no drift, no calibration. The pen coordinates do not slip, even if used for long periods of time. Ideal for use as permanent installations.
- High reliability. No slippage in calibration when PDP is moved.

Note: Only necessary at initial setup or when PC output resolution is changed.

Notes: Unlike other touch screen systems, the Pioneer PDK-50HW2 does not suffer from image degradation due to parallaxing as there is no screen positioned in front of the display. PDP-503MXE sold separately. *For handwriting, additional drawing software is required.

3. Easy installation and flexible layout.

- The Plasma Touch Screen is only 1258 x 758 x 113mm and has an additional weight to the PDP-503MXE of only 5.9kg.
- Easy setup. Just connect to data source devices via the RS-232C terminal.
- The PDK-50HW2 is compatible with mobile cart, wall-mount and ceiling-mount accessories.

4. Interactive pen.

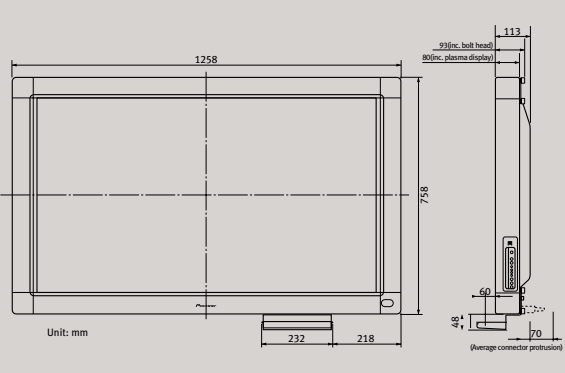
- In addition to touch-based operation, a dedicated pen is provided.
- Dedicated pen incorporates mouse button feature (left, right, middle), allowing it to be used for operation of various PC applications.
- Roll prevention, battery-check function and loop string attachment included.
- Ideal for handwriting applications*

5. Custom driver software.

- Custom driver software for wide-ranging compatibility including Windows98/ME/NT (SP4)/2000 (Professional) /XP (Home Edition/Professional Edition).
- The custom driver enables optimal, high-speed management of scanned coordinate data and easy operation of various applications via pen or touch-based input using only an RS-232C connection.
- Vast display resolution range. In addition to the recommended resolution of 1280 x 768, projection of resolutions from VGA to UXGA is also possible.



Dimensional Diagram



System Requirements

Supported Hardware

Setup:	IBM PC-AT Compatible
CPU:	More than MMX233MHz
Video card:	Recommended 1280 x 768 (Wide XGA) supported products
Display:	PIONEER PDP-503MXE Plasma display
HDD:	Approx. 6MB HD space required for CDrv installation

Supported Operating System

Microsoft Windows 98 Second Edition
Microsoft Windows Millennium Edition
Microsoft Windows NT 4.0 Workstation (SP3 or later)
Microsoft Windows 2000 Professional
Microsoft Windows XP (Professional/Home Edition)

Accessories

Included	Optional
Pen	PDK-TS01 Table Top Stand
Replacement pen tips (2 pcs)	PDK-S011 Angled Hang On Wall Unit
Pen stand	PDK-S012 Ceiling Mount Kit
Self-adhering fastener tape sets	PDK-S014 Mobile Cart
RS-232C cable (3 m)	
AC adapter	
Power cord	
Driver software disc (CDrv)	

General Specifications

Scanning system	Infrared scanning
Resolution	1280 x 768
Input connectors	DC-IN jack (6V, 1A)
Communication connector (RS-232C)	RS-232C (D-sub 9-pin straight)
Power switch	Rocker type
Power indicator	LED
Power	AC100 - 240V, 50/60 Hz
Power consumption	8-13 W (100-240 V)
Input method	Finger or dedicated pen
External dimensions (W x H x D) (including plasma display, excluding pen stand)	1,258 x 758 x 113 mm
Weight (excluding plasma display and pen stand)	5.9 kg

PDP-503MXE General specification

Effective screen size (W x H)	1098.2 x 620.5mm (50 - inch diag)
Aspect ratio	16:9
Number of pixels	1280 (Hor) x 768 (Ver)
Pixel pitch	0.858mm (Hor/RGB trio) x 0.808mm (Ver)
Colour resolution	832 grey scale, 576 million colours
Brightness	900 cd/m ² (white peak)
Contrast ratio	900:1 (dark environment)
Viewing angle	More than 160°(Hor) more than 160°(Ver)
Dimensions (W x H x D)	1218 x 714 x 98mm
Weight	38.9kg
Power consumption	380 W (1W at stand by)
Power requirements	AC 100 ~ 240V ±10%, 50/60Hz (3.8-1.6A)
Operating temperature	0°C ~ 40°C
Operating humidity	20% ~ 80%
Operating atmospheric pressure	0.8 ~ 1.1 atmospheric pressure
Safety regulations	CE (EN60950, EN55022 classB, EN55024, EN61000-3-2, EN61000-3-3), IEC950, C-Tick (AS/NZS3260, AS/NZS3548)

Windows is a registered trademark of the Microsoft Corporation in the U.S. and other countries. MMX is a registered trademark of the Intel Corporation. Other company names and product names are registered trademarks or trademarks of each company.

Dedicated Pen

Transmission	Ultrasonic wave
Operation switches	Pen tip x 1, Body x 2
Power	AAA (LR03) alkaline battery x 1
External dimensions (W x L)	27 x 182 mm
Weight (including battery)	55 g

PIONEER AUSTRIA

Tel +43 (0) 1 61 64 580
Fax +43 (0) 1 61 64 580 40
info@pioneer.at
www.pioneer.at

PIONEER BELGIUM (BELGIUM)

A Branch of Pioneer Benelux B.V.
Tel +32 (0) 3 570 0500
Fax +32 (0) 3 570 0884
www.pioneer.be

PIONEER EUROPE NV (BELGIUM)

Direct Sales Division (Eastern Europe)
Tel +32 (0) 3 570 0511
Fax +32 (0) 3 570 0883
www.pioneer-eur.com

PIONEER SCANDINAVIA AB

Tel +46 (0) 8 609 91 00
Fax +46 (0) 8 771 10 15

PIONEER EUROPE NV

Multimedia Division, Slough SL2 4QP, UK
Tel +44 (0) 1753 789789
Fax +44 (0) 1753 789880

PIONEER GB LTD (UNITED KINGDOM)

Tel +44 (0) 1753 789 789
Fax +44 (0) 1753 789 539
e-mail: plasma@pgb.pioneer.co.uk
www.pioneerplasma.co.uk

PIONEER DENMARK A/S

Tel +45 (0) 43 55 54 00
Fax +45 (0) 43 55 54 01
www.pioneer.dk

PIONEER BENELUX B.V. (NETHERLANDS)

0900 PIONEER (0900 7466337)
Tel +31 (0) 36 538 7777
Fax +31 (0) 36 536 5511
www.pioneer.nl

PIONEER NORGE AS (NORWAY)

Tel +47 (0) 22 09 30 00
Fax +47 (0) 22 09 30 01
www.pioneer.no

SACOM LTD (SWITZERLAND)

Tel +41 (0) 32 366 8585
Fax +41 (0) 32 366 8586

ULKOKAUPAT OY (FINLAND)

Tel +358 (0) 9 521 788
Fax +358 (0) 9 521 4702
www.pioneer.ulkokaupat.fi

AUDIO VISION IMPORT LIMITED (IRELAND)

Tel +353 1 240 5600
Fax +353 1 450 4870

PIONEER ELECTRONICS IBERICA S.A. (PORTUGAL)

Tel +351 (0) 21 861 0340
Fax +351 (0) 21 868 7175

Macintosh is a registered trademark of Apple Computers Inc. PC-9800 is a registered trademark of NEC Corporation. All product names and company names are registered trademarks of their respective owners. Published by Pioneer Europe N.V. Multimedia Division. Copyright 2002 by Pioneer Europe N.V. All rights reserved.

Note: This equipment is sold on the condition that it will be installed by a competent professional engineer with sufficient training and skill to carry out proper installation. Be sure to entrust the installation and set-up of this machine only to a competent professional or retail service engineer.

Pioneer cannot accept liability in cases where the equipment is damaged due to inappropriate installation location, improper assembly, installation, set-up, operation, renovation, or by natural disasters.

Features and specifications of the products described or illustrated in this catalogue are correct at the time of printing but could change as production changes might occur. This catalogue may contain typographical errors and the colours of the depicted products may deviate slightly from reality. Consult your Pioneer dealer to ensure that actual features and specifications match your requirements.

This catalogue may contain references to products that may or will not be available in your country.